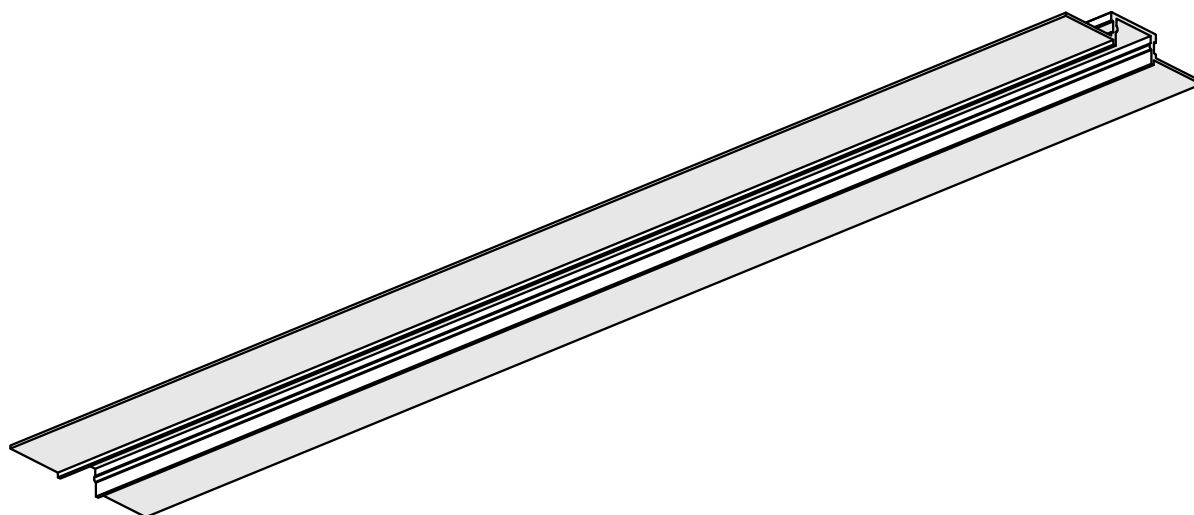
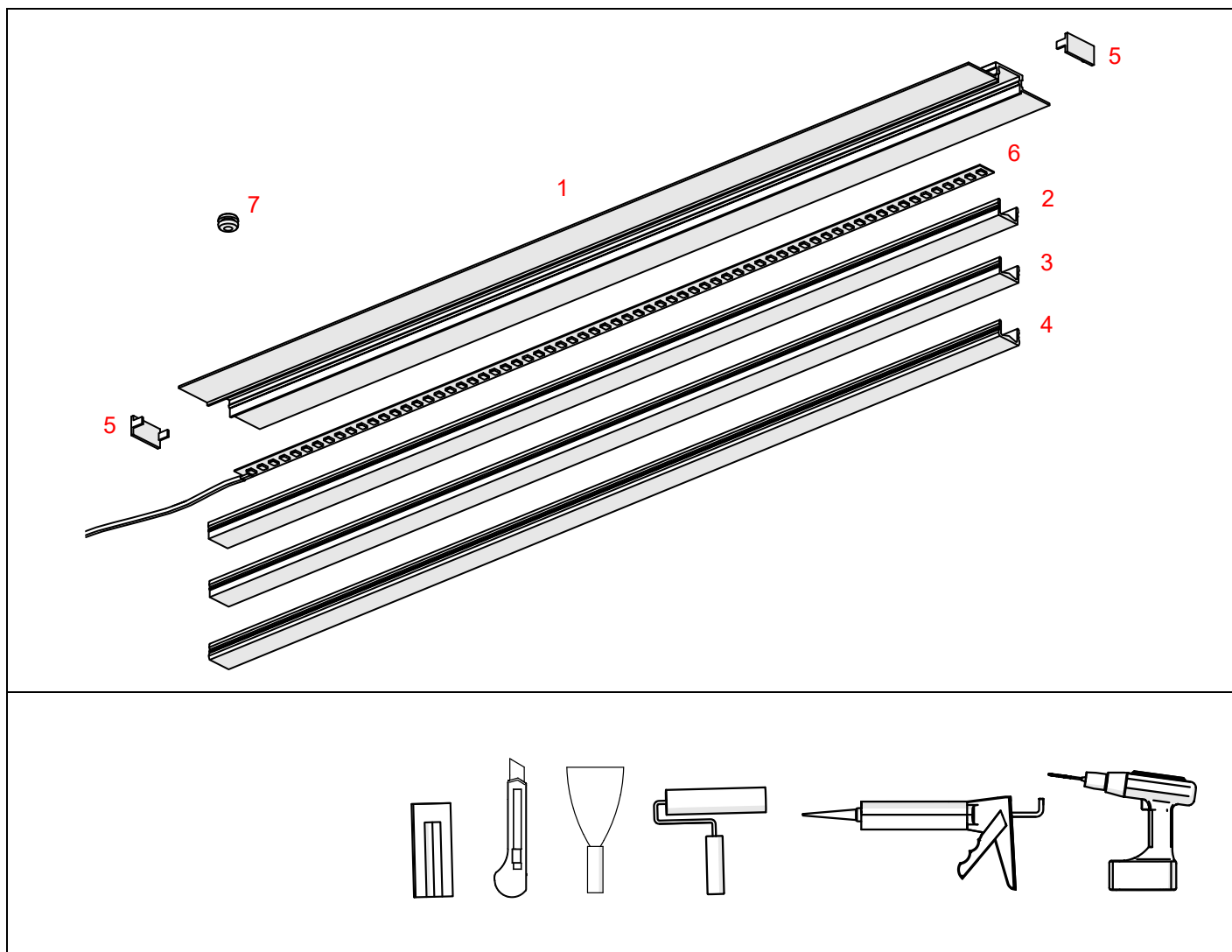


Profile HR-SLIM-KOZ





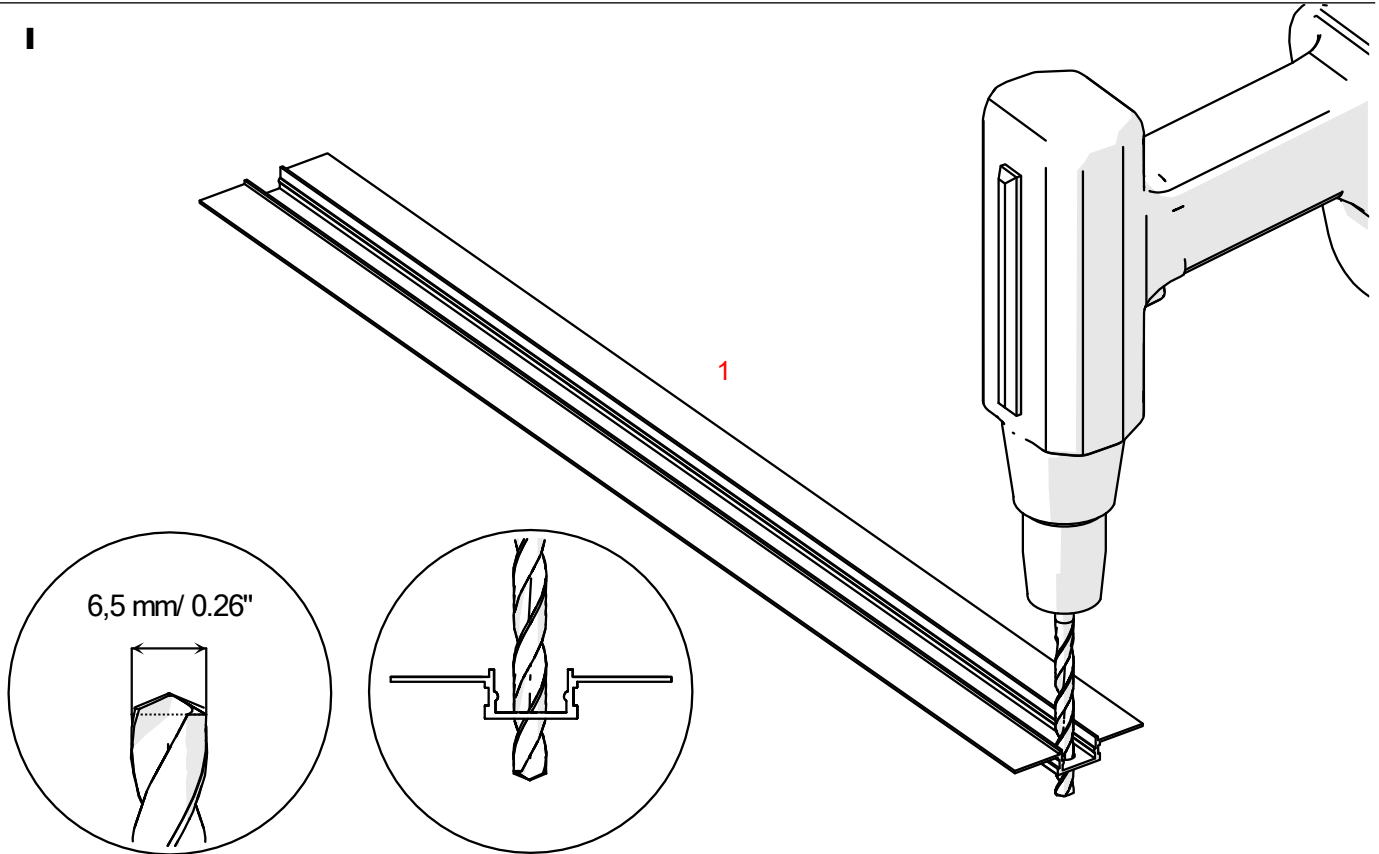
1. Profile HR-SLIM-KOZ (Ref. A00037)
2. Protective insert TECH-15 (Ref. C28287)
3. Cover HR-15 (Ref. B17153)
4. Cover HR-IP-15 (Ref. B17154)
5. End cap HR-SLIM (Ref. C28302C01)
6. LED tape*
7. Gland*

* The full range of accessories and electronics is available at www.KlusDesign.eu

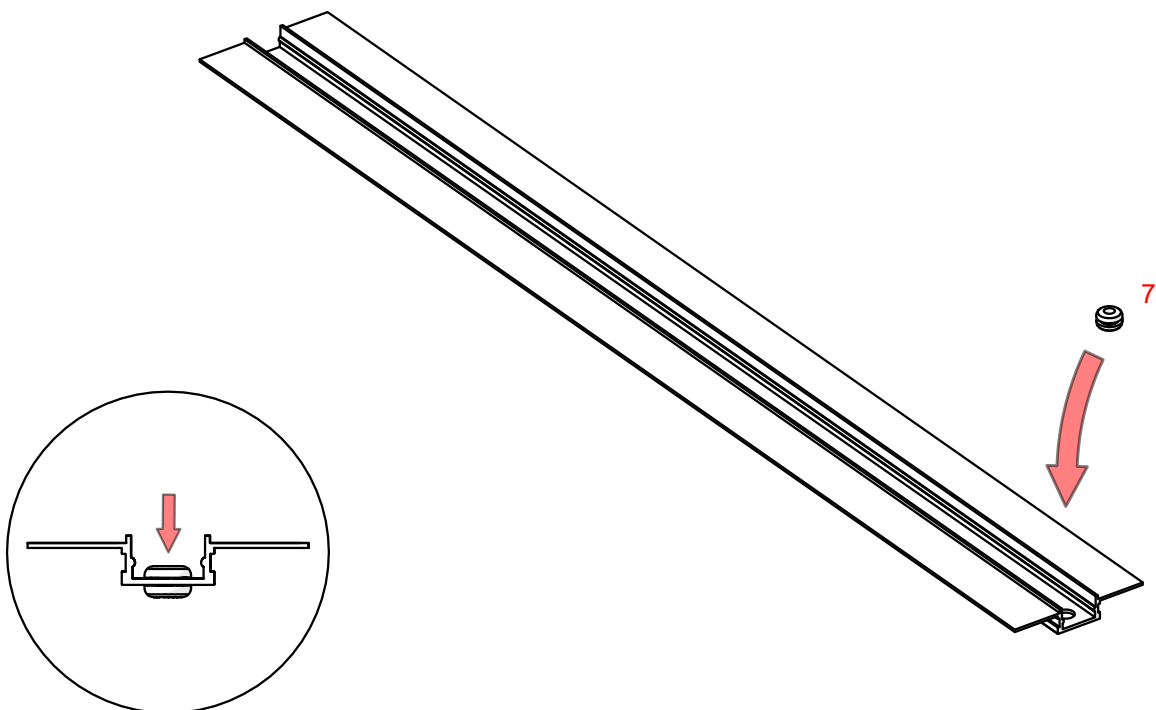
NOTE! ! All LED tapes must be connected to a 24 V power supply.

IMPORTANT: Not all possible mounting procedures are presented here. More mounting procedures and related accessories can be found at www.KlusDesign.eu. Drawings in these instructions are simplified and only approximate the actual shapes.

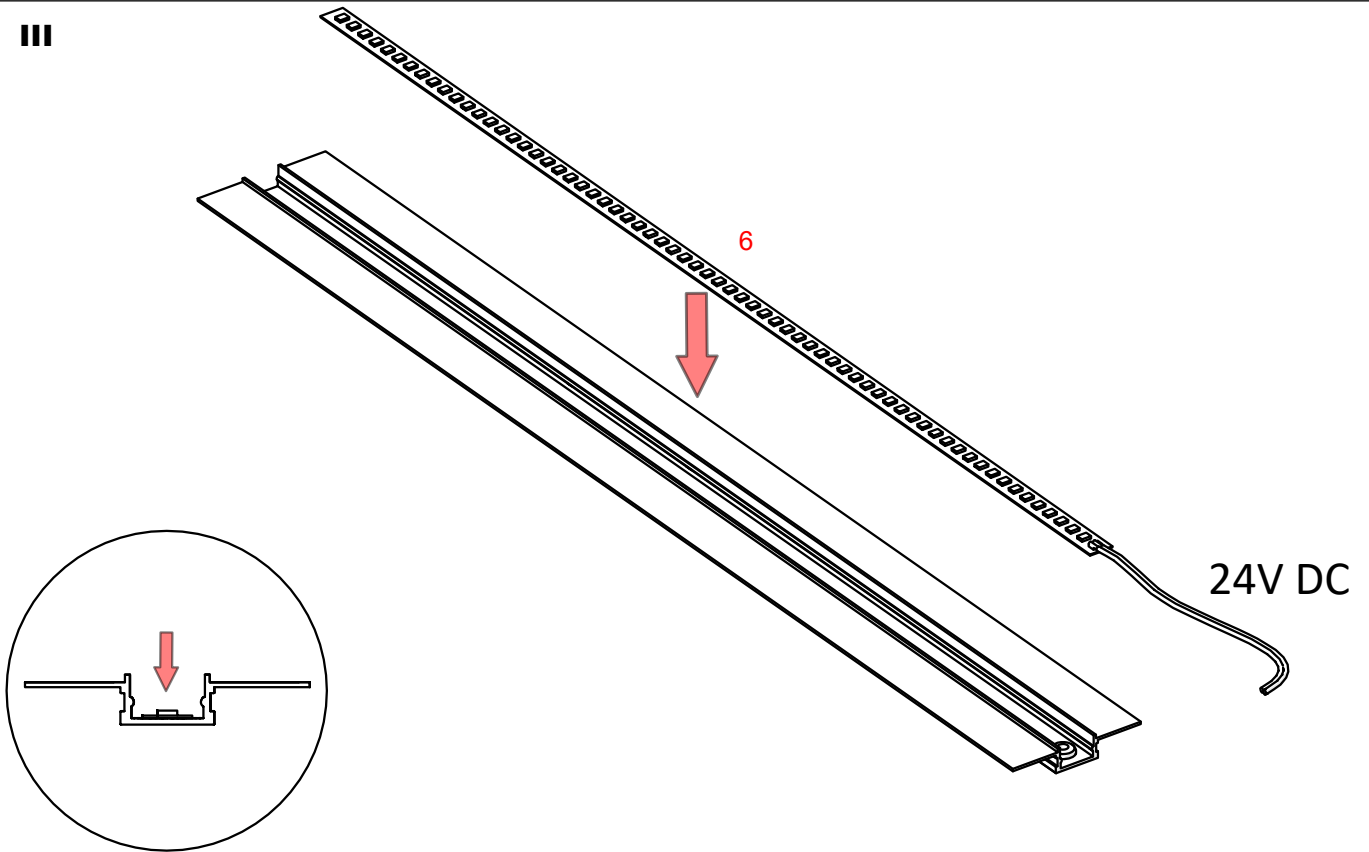
I



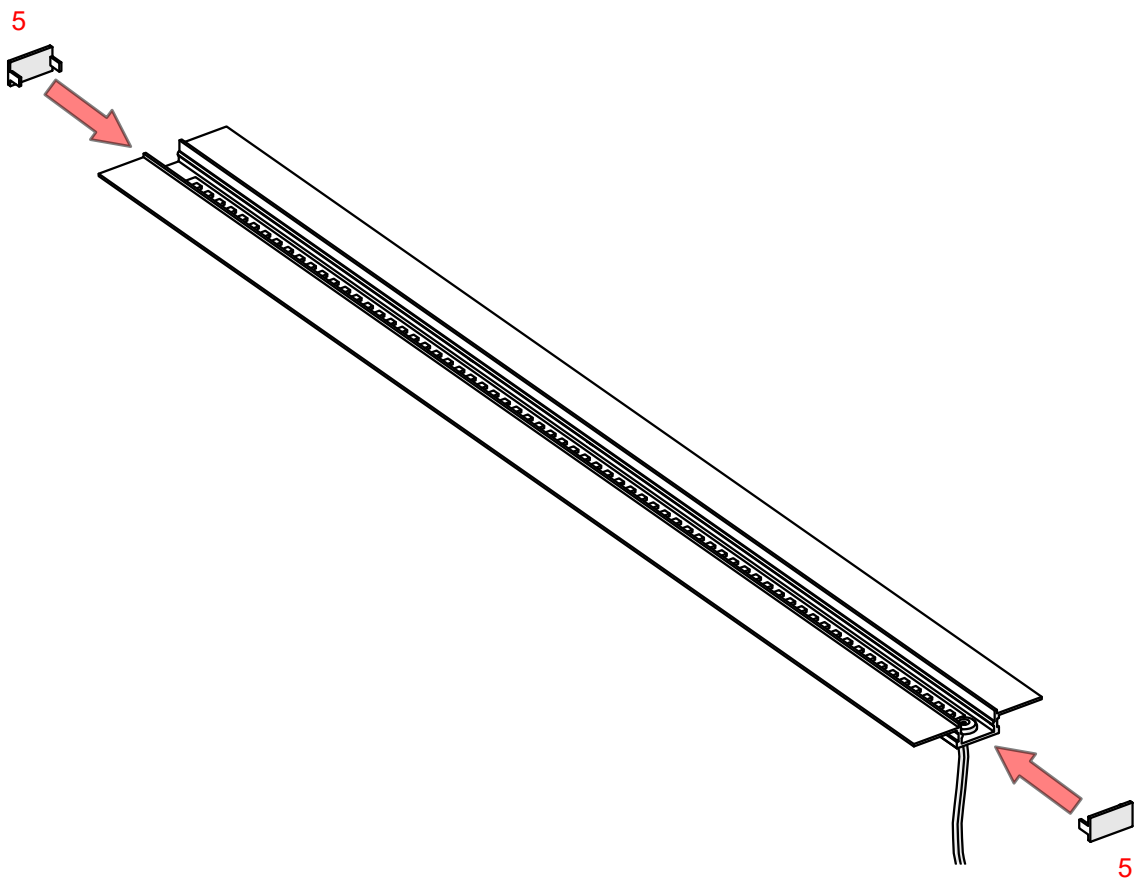
II



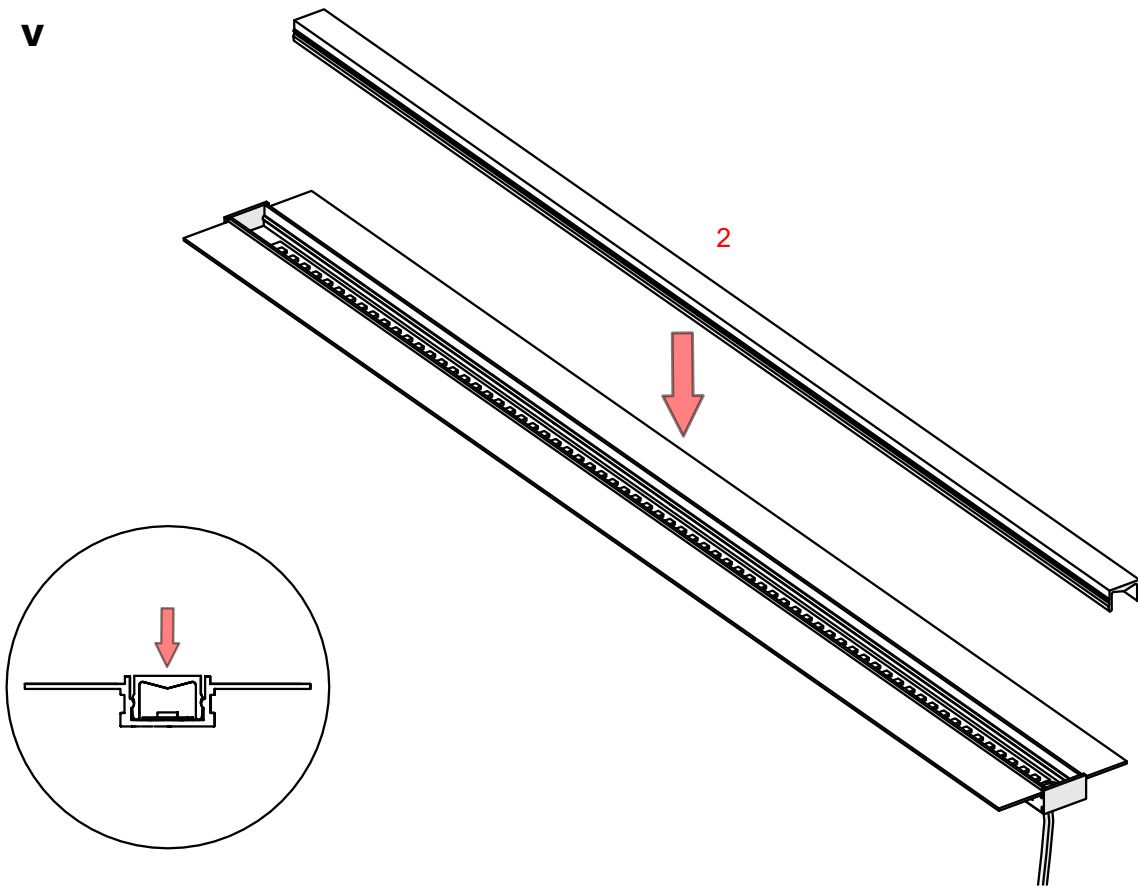
III



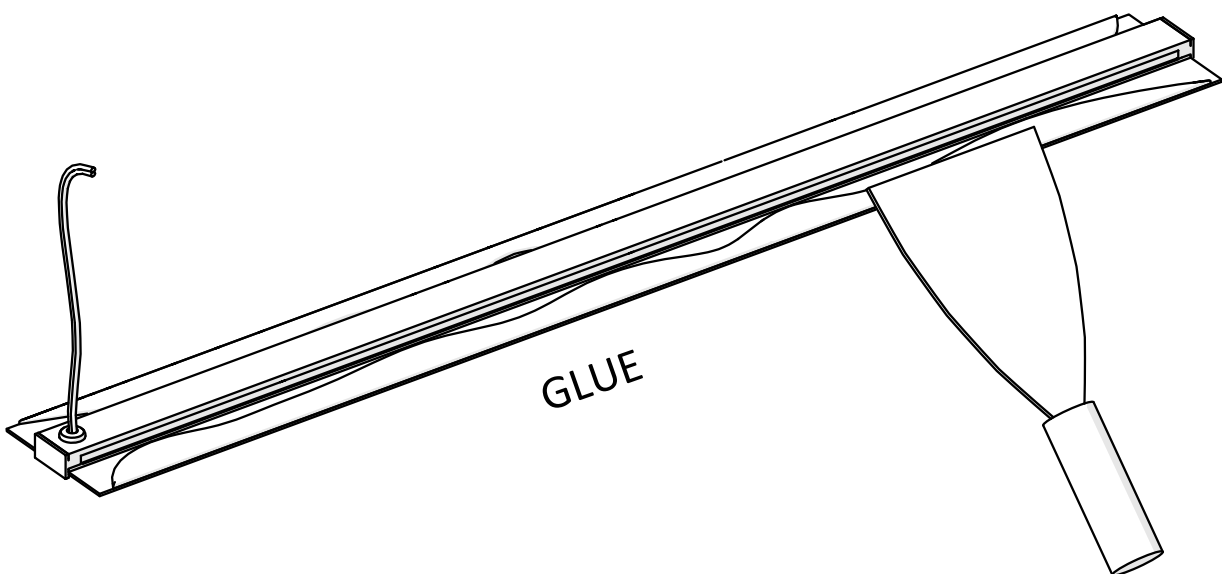
IV



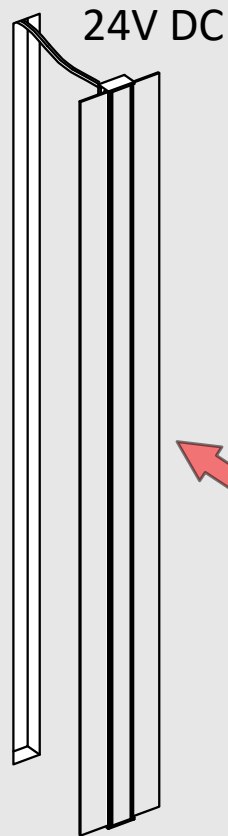
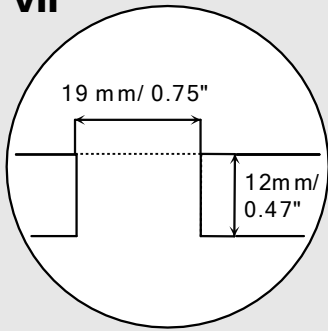
V



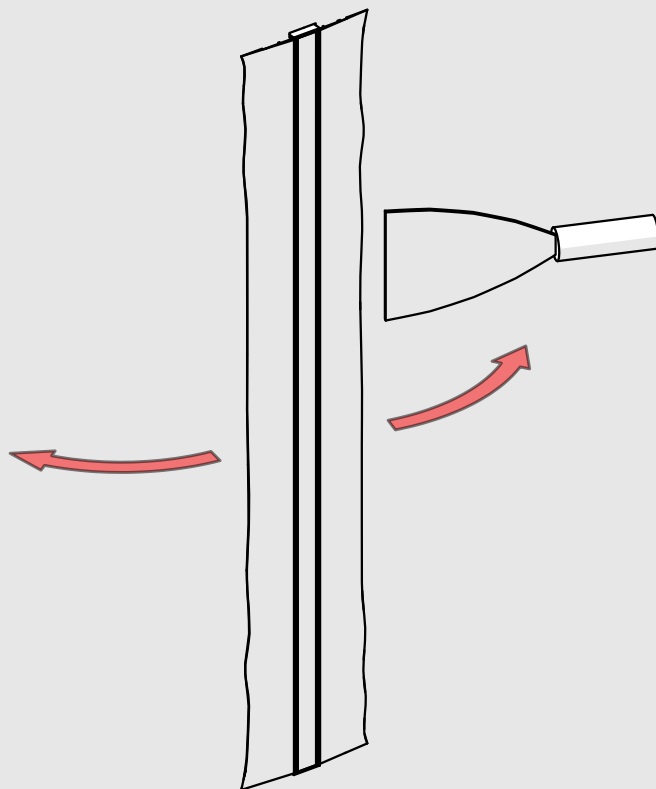
VI



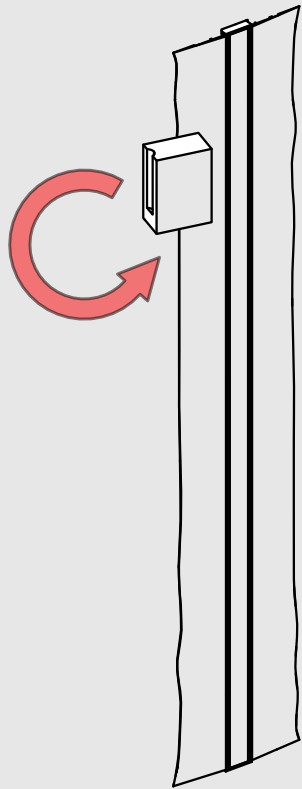
VII



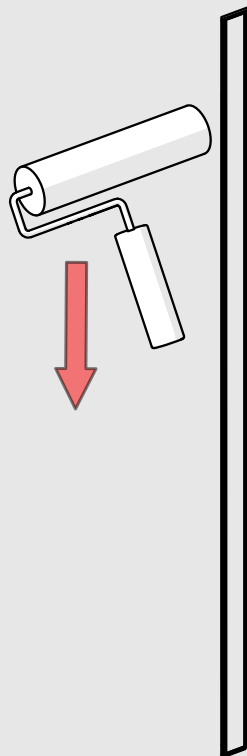
VIII



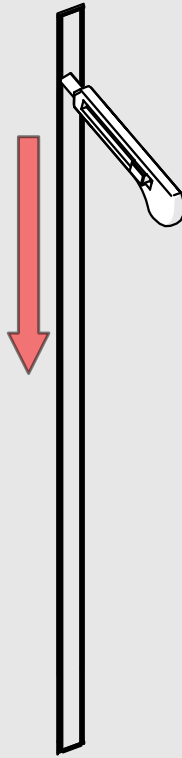
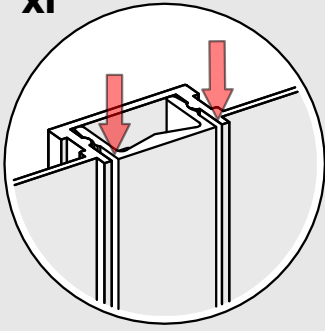
IX



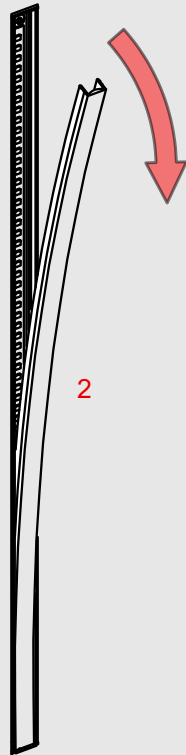
X



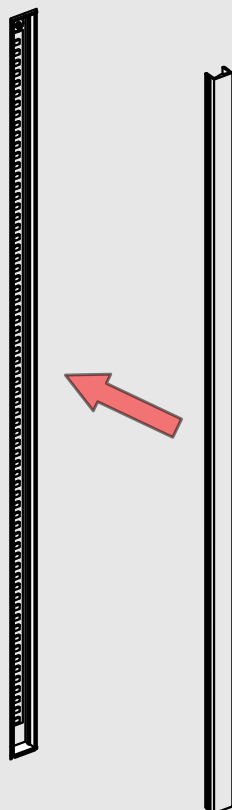
XI



XII

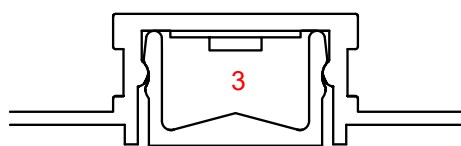


XIII



Cover HR-15

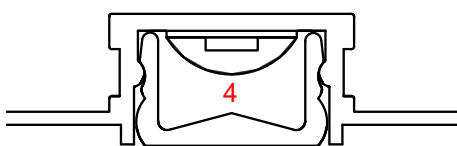
IP 20



CLICK!

Cover HR-IP-15

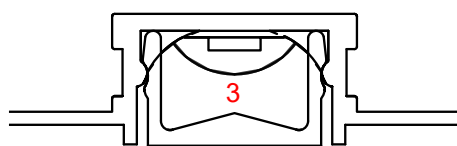
IP 65



CLICK!

Cover
HR-15 + silicone

IP 67



CLICK!

XIV

